

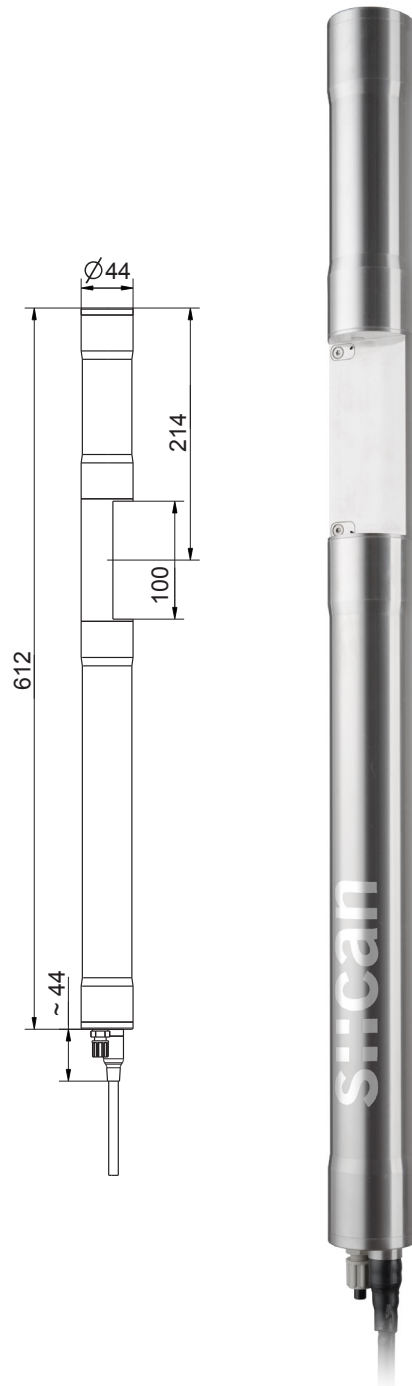
spectro::lyser™ (UV)

spectro::lyser™ UV monitors depending on the application an individual selection of: NO₂-N, TSS (est), turbidity (est) NO₃-N, COD, BOD, TOC, UV254, BTX, fingerprints and spectral alarms, temperature and pressure

- s::can plug & measure
- measuring principle: spectrometry over the UV range (190-390 nm)
- multiparameter probe with adjustable open path length
- ideal for surface water, ground water, drinking water and waste water
- long term stable and maintenance free in operation
- factory precalibrated, local multi-point calibration possible
- automatic cleaning with compressed air or brush/ruck::sack
- mounting and measurement directly in the media (InSitu) or in a flow cell (monitoring station)
- operation via s::can terminals & s::can software
- robust and precise adaption of optical path lengths to 35 mm, 15 mm or 5 mm possible
- easy mounting without clogging

recommended accessories

part number	article name
A-005-s	Inserts for optical pathlength 5 mm, stainless steel
A-015-s	Inserts for optical pathlength 15 mm, stainless steel
B-32-xxx	s::can compressor
B-44	cleaning valve
B-44-2	
D-330-xxx	con::cube V3
F-120-V3	carrier s::can spectrometer V3 & V2 probe, vertical attachment
F-446-2	flow cell autobrush - for spectro::lyser™ pathlength 100 mm
S-11-xx-moni	moni::tool Software



technical specification

measuring principle	UV spectrometry 190 - 390 nm
measuring principle detail	xenon flash lamp, 256 photo diodes
automatic compensation instrument	two beam measurement, complete spectrum
automatic compensation cross sensitivities	turbidity / solids / organic substances
precalibrated ex-works	all parameters
accuracy standard solution (>1 mg/l)	NO ₃ -N: +/- 2% +1/OPL[mg/l]* COD-KHP: +/-2% +10/OPL[mg/l]* (* OPL ... optical pathlength in mm)
access to raw signals	access to spectral information
reference standard	distilled water
onboard memory	656 KB
integrated temperature sensor	-10 ... 50 °C
resolution temperature sensor	0.1 °C
integrated pressure sensor (optional)	0 ... 1.2/2/11 bar
resolution pressure sensor	1:1000 of measuring range
integration via	con::cube con::lyte con::nect
power supply	11 ... 15 VDC
power consumption (typical)	4.2 W
power consumption (max.)	20 W
interface to s::can terminals	MIL connector, RS485
interface to third party terminals	con::nect incl. gateway modbusRTU
cable length	7.5 m fixed cable (-075) or 1 m fixed cable (-010)
cable type	PU jacket
housing material	stainless steel 1.4404

window material	optical path length 15 ... 0.5 mm: sapphire optional: optical path length 100 ... 5 mm: fused silica (UV-grade)
weight (min.)	3.4 kg (incl. cable)
dimensions (Ø x l)	optical path length 100 mm: 44 x 612 mm / 656 mm optical path length 35 ... 0.5 mm: 44 x 547 mm / 591 mm
operating temperature	0 ... 45 °C
operating pressure	0 ... 5 bar
high pressure specification (optional)	10 bar
explosion proof specification (optional)	RL 2014/34/EU, TÜV-A16 ATEX 3001Q ATEX Marking: II 2 G Ex db IIC T6 Gb
installation / mounting	submersed or in a flow cell
flow velocity	3 m/s (max.)
mechanical stability	30 Nm
ingress protection class	IP68
automatic cleaning	media: compressed air or autobrush permissible pressure: 3 ... 6 bar
storage temperature	-10 ... 50 °C
conformity - EMC	EN 61326-1, EN 61326-2-3
conformity - safety	EN 61010-1
standard warranty	2 years
extended warranty (optional)	3 years



ground water

		parameter					part number
		turbidity est [NTU/FTU]	TOC [mg/l]	NO ₂ -N [mg/l]	NO ₃ -N [mg/l]	UV254 [Abs/m]	
spectro:lyser™ UV (turbidity est, NO ₃ -N, TOC, UV254, NO ₂ -N)	min.	0	0	0	0	0	SP-2-035-p0-s-NO-010 / -075
	max.	85	20	5	20	70	(incl. Global Calibration g2)

surface water

		parameter					part number
		turbidity est [NTU/FTU]	TOC [mg/l]	NO ₂ -N [mg/l]	NO ₃ -N [mg/l]	UV254 [Abs/m]	
spectro:lyser™ UV (turbidity est, NO ₃ -N, TOC, UV254, NO ₂)	min.	0	0	0	0	0	SP-2-035-p0-s-NO-010 / -075
	max.	85	30	5	15	70	(incl. Global Calibration r2)
spectro:lyser™ UV (turbidity est, NO ₃ -N, TOC, UV254, NO ₂)	min.	0	0	0	0	0	SP-2-015-p0-s-NO-010 / -075
	max.	200	60	15	35	165	(incl. Global Calibration r2)
spectro:lyser™ UV (turbidity est, NO ₃ -N, TOC, UV254, NO ₂ -N)	min.	0	0	0	0	0	SP-2-005-p0-s-NO-010 / -075
	max.	600	180	40	100	500	(incl. Global Calibration r2)

drinking water

		parameter					part number
		turbidity est [NTU/FTU]	TOC [mg/l]	NO ₂ -N [mg/l]	NO ₃ -N [mg/l]	UV254 [Abs/m]	
spectro:lyser™ UV (turbidity est, NO ₂ -n, NO ₃ -N, TOC, DOC, UV254)	min.	0	0	0	0	0	SP-2-100-p0-sNO-010 / -075
	max.	30	8	2	7	25	(incl. Global Calibration d2)